



General Instructions

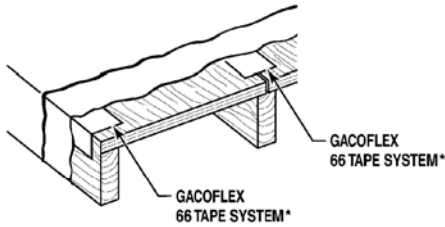
Western Region
PO Box 88698
Seattle, WA 98138
1-800-456-4226

Central Region
PO Box 646
Waukesha, WI 53187
1-800-331-0196

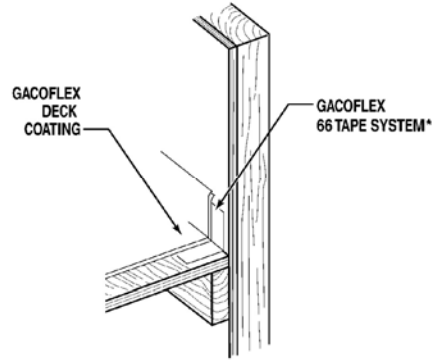
GW-5-D1
Standard Details
August 2000

TERMINATIONS AND CHANGES OF PLANE

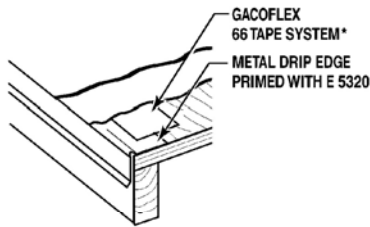
These details show termination methods for roof and deck specifications. The type, number of coats, or



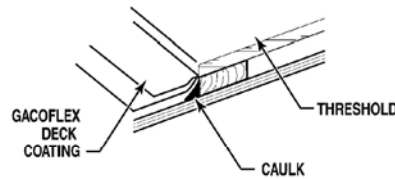
OPTIONAL PERIMETER & JOINT DETAIL



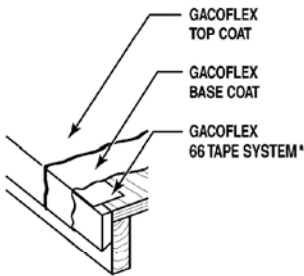
DECK CHANGE OF PLANE DETAIL



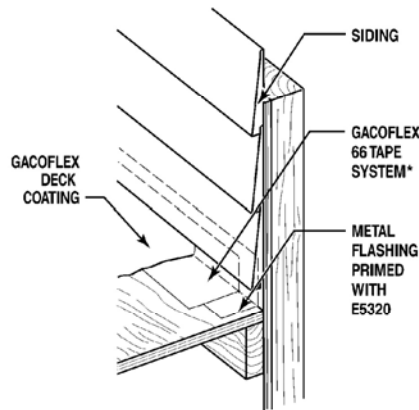
PREFERRED PERIMETER DETAIL



THRESHOLD DETAIL



OPTIONAL PERIMETER DETAIL

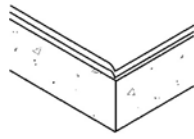


**DECK CHANGE OF PLANE
DETAIL WITH SIDING**

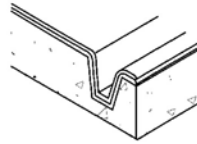
quantity of
specificati

*See GW1 DC4 for Gaco Tape System Details

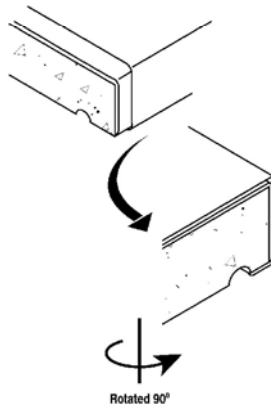
CONCRETE TERMINATIONS



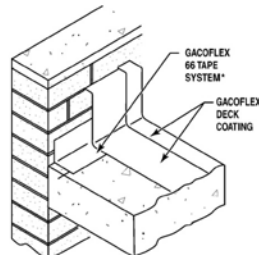
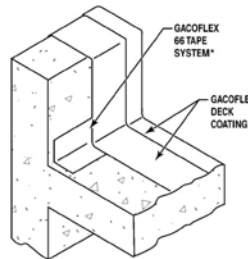
PERIMETER



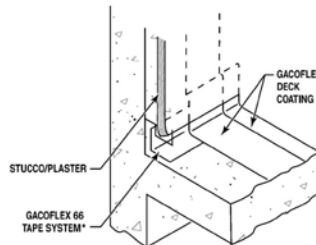
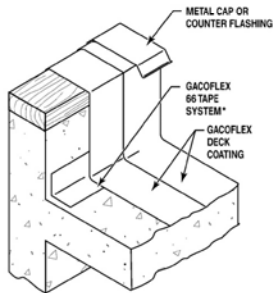
PERIMETER WITH GUTTER



CONCRETE TERMINATIONS



MASONRY: Apply tape bed to fill irregular surfaces. Terminate coatings on vertical surfaces at a mortar line.



*See GW1 DC1 for Gaco Tape System Details

CONCRETE TERMINATIONS