

DETAIL INDEX

<u>DETAIL NUMBER</u>	<u>DESCRIPTION</u>
GW-5-D1	Terminations and Changes of Plane Detail
GW-5-D2	Sealing Cracks and Joints Detail
GW-5-D3	Expansion Joint Covers Detail
GW-5-D4	Flashing at Pipe Penetrations Detail
GW-5-D5	Flashing Detail with Water Vapor Venting
GW-5-D6	HVAC Details and Equipment Support
GW-5-D7	Parapet Wall Details
GW-5-D8	Fascia and Wall Details
GW-5-D9	Flat, Sloped and Roof Tie-In Details
GW-5-D10	Roof Penetrations Details for Pipes, Drains and Skylights
GW-5-D11	Expansion Joint Details for Roofing
GW-5-D12	Metal Roofing and BUR Details
GW-5-D13	Below Grade Application Details
GW-5-D14	Parapet Flashing Details
GW-5-D15	Inverted Roofing Details
GW-5-D16	Drain and Gutter Details using LM-60
GW-5-D17	Expansion Joint Detail for Below Grade



General Instructions

Western Region
PO Box 88698
Seattle, WA 98138
1-800-458-4226
www.gaco.com

Central Region
PO Box 646
Waukesha, WI 53187
1-800-331-0196
www.gaco.com

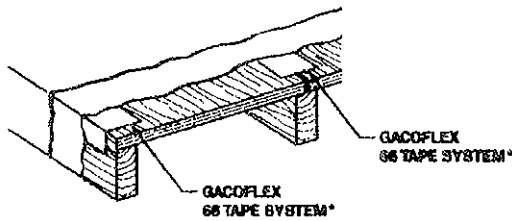
Eastern Region
45 Cedarfield Commons
Rochester, NY 14612
1-800-869-0958
www.gaco.com

GW-5-D1
Standard Details
August 2000

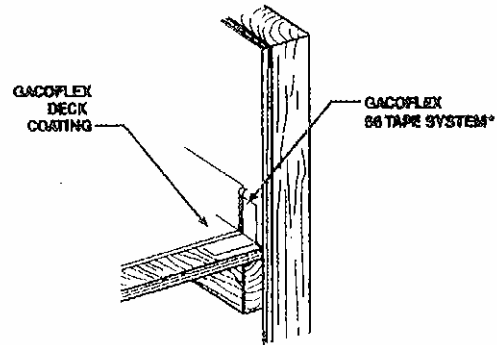
TERMINATIONS AND CHANGES OF PLANE

These details show termination methods for roof and deck specifications. The type, number of coats,

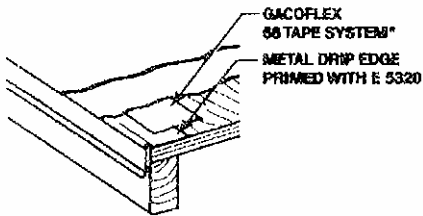
or quantity of coating is stated in the application specification.



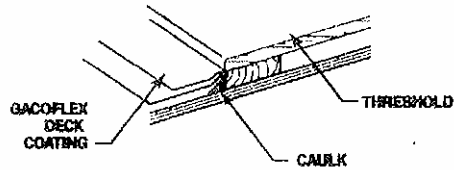
OPTIONAL PERIMETER & JOINT DETAIL



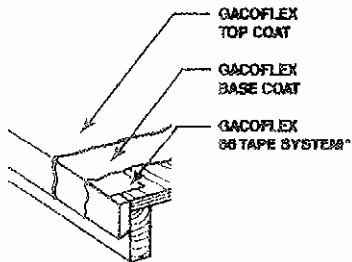
DECK CHANGE OF PLANE DETAIL



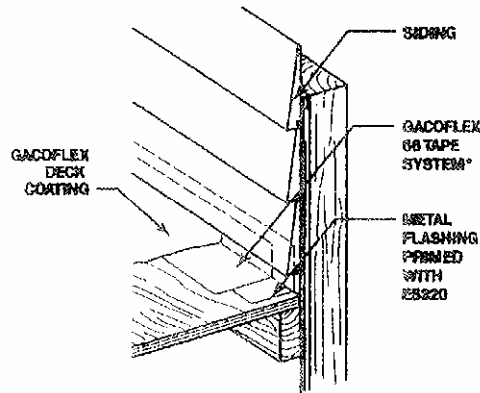
PREFERRED PERIMETER DETAIL



THRESHOLD DETAIL



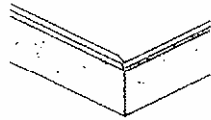
OPTIONAL PERIMETER DETAIL



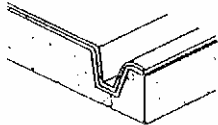
DECK CHANGE OF PLANE DETAIL WITH SIDING

PLYWOOD TERMINATIONS

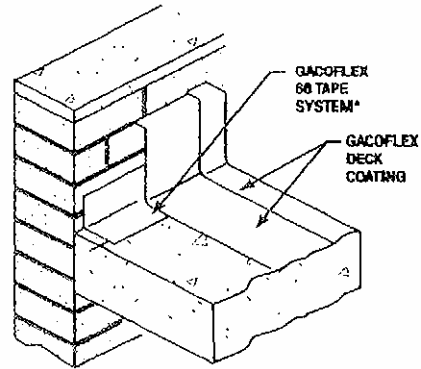
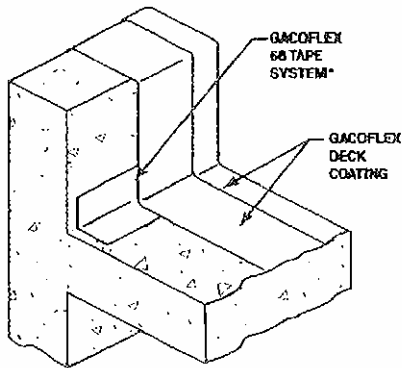
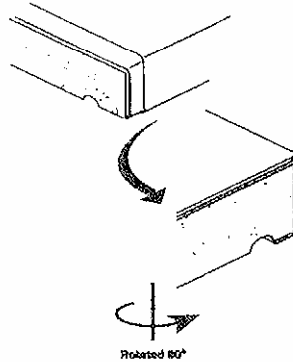
CONCRETE TERMINATIONS



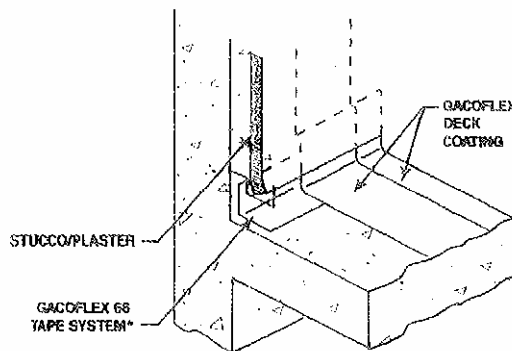
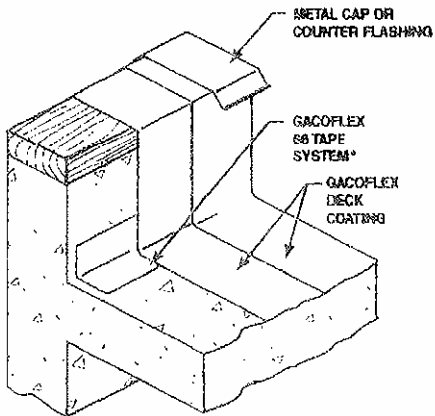
PERIMETER



PERIMETER WITH GUTTER



MASONRY: Apply tape bed to the irregular surfaces. Terminate coatings on vertical surfaces of a mortar line.





General Instructions

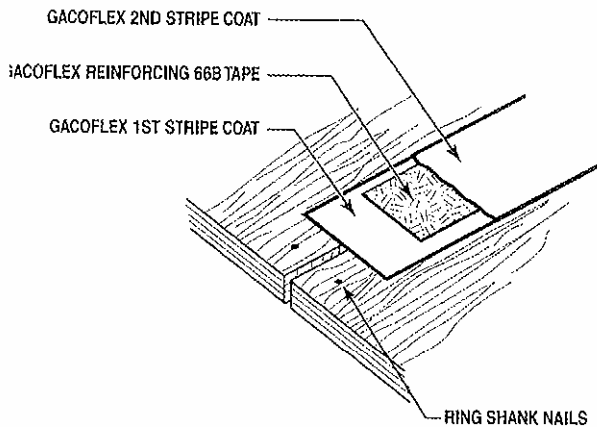
Western Region
 PO Box 88698
 Seattle, WA 98138
 1-800-456-4226
 www.gaco.com

Central Region
 PO Box 646
 Waukesha, WI 53187
 1-800-331-0196
 www.gaco.com

GW-5-D2
 August 2000

SEALING CRACKS AND JOINTS

1. GACO WESTERN 66B and 66S TAPE SYSTEMS



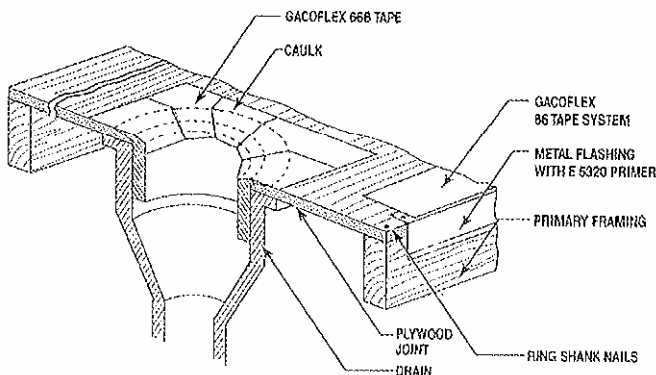
PLYWOOD JOINT DETAILS AND GACOFLEX 66 TAPE SYSTEM

A. General: Gaco Western 66B and 66S tapes are low profile, fusion-bonded polyester fiber tapes.

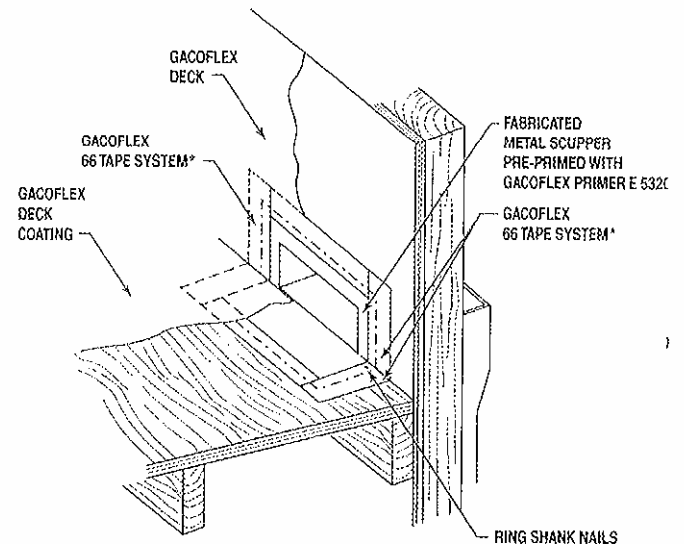
B. Usage: Plywood joints, concrete construction joints, drains or cracks, and joints between metal, fiberglass laminate, insulation, or combinations of the above substrates.

C. Application to a Flat Surface:

1. Apply a stripe coat of base elastomer; then place the 66B or the 66S tape into the partially dried coating centered over crack. Smooth firmly into place by wiping with a brush or cloth. Apply a thinned base coat to bond tape.
2. Inspect tape when coating is dry or nearly so to assure that it is completely and smoothly bonded. Press down any fishmouths or wrinkles, cutting and re-bonding if necessary.

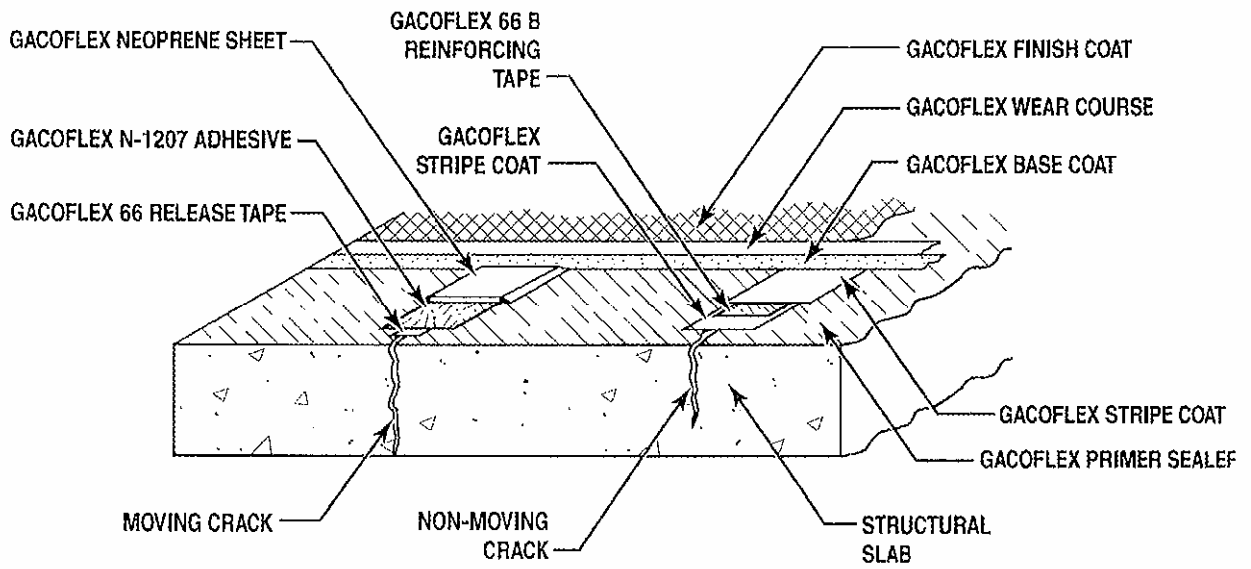


DRAIN - PLYWOOD



METAL SCUPPER DETAIL

CONCRETE MOVING AND NON-MOVING CRACKS AND GACOFLEX 66 TAPE SYSTEMS





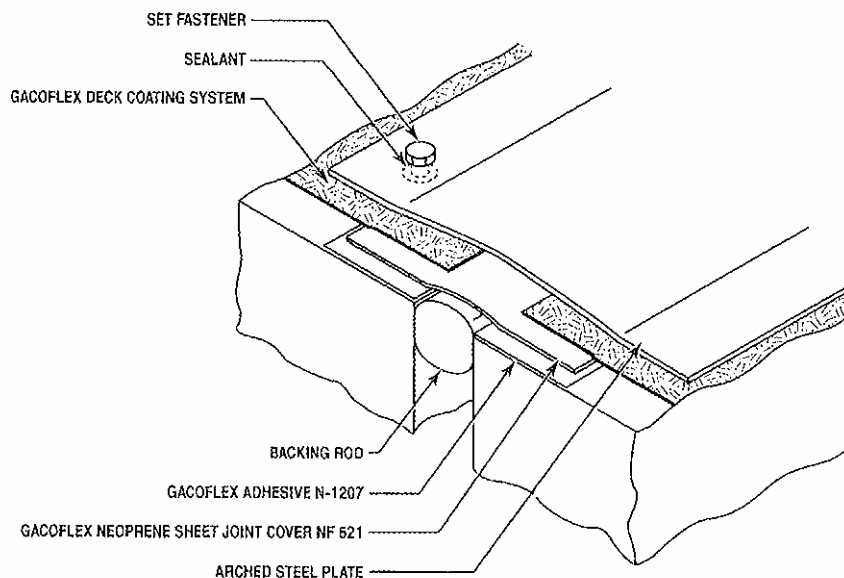
General Instructions

Western Region
PO Box 88698
Seattle, WA 98138
1-800-456-4226
www.gaco.com

Central Region
PO Box 646
Waukesha, WI 53187
1-800-331-0196
www.gaco.com

GW-5-D3
August 2000

EXPANSION JOINT COVERS



EXPANSION JOINT COVER

1. CANT EXPANSION JOINT COVERS

A. General: Gaco Western NF-621 field curing neoprene sheet is used to construct an off-roof expansion joint.

B. Usage: This expansion joint can be used with all Gaco Western roof specifications except roofing on insulation where separate details are available.

C. Application: Install in one full width piece extending a minimum of 6" (15.2 cm) onto horizontal roof deck. Use as long a length as possible, lapping joints a minimum of 6".

1. After primer is dry, apply Gaco Western N-1207 neoprene adhesive to both neoprene sheet and substrate and allow to dry to the touch. On porous substrates, apply two coats of N-1207 adhesive.

2. Place flexible sponge tubing or backer rod over expansion joint opening. Tubing should be approximately 30% larger in diameter than opening width. Commercially available neoprene or polypropylene sponge insulation tubing may be used.

3. To facilitate placing the adhesive coated neoprene sheet, a liner is used. This can be a heavy polyethylene, Holland Cloth (unbleached muslin) or similar lint-free cloth. Use a doubled liner on each side of the joint, placing the folded edge at the joint opening next to the tubing. The liner extends out on the deck beyond the neoprene sheet. As it is peeled out, the sheet is "stitched" into place with a small roller.

4. Place a 1/4" (6.4 mm) fillet of caulking along all exposed edges of the sheet. Base coat system can be applied immediately, but carried only over the edge of the sheet.

2. CURB EXPANSION JOINT COVERS

A. General: Gaco Western NF-621 field curing neoprene sheet is used to construct a curb expansion joint cover.

B. Usage: The expansion joint cover can be used with all Gaco Western roof specifications.

C. Application: Install in one full width piece extending a minimum of 3" (7.6 cm) down the side of the curb. Use as long a length as possible, lapping joints a minimum of 6" (15.2 cm).

When neoprene sheet flashing is used, it should be installed first so that the expansion joint cover can lap a minimum of 3" (7.6 cm) over the flashing.

1. After primer is dry, apply Gaco Western N-1207 neoprene adhesive to both neoprene sheet and substrate and allow to dry to the touch. On porous substrates, apply two coats of N-1207 adhesive.

2. Place flexible sponge tubing over expansion joint opening. Tubing should be approximately 30% larger in diameter than opening width. Commercially available neoprene or polypropylene sponge insulation tubing may be used.

3. To facilitate placing the adhesive coated neoprene sheet, a liner is used.

4. Base coat system can be applied immediately, but carried only over the edge of the sheet.



General Instructions

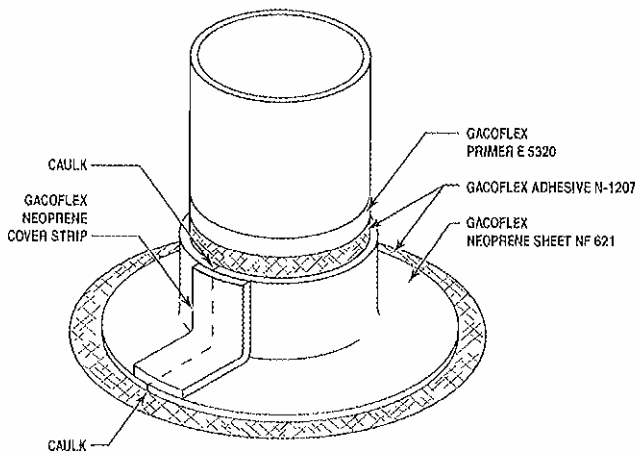
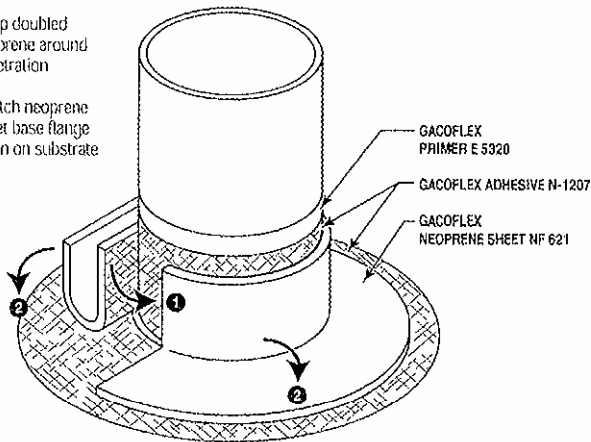
Western Region
PO Box 88698
Seattle, WA 98138
1-800-456-4226
www.gaco.com

Central Region
PO Box 646
Waukesha, WI 53187
1-800-331-0196
www.gaco.com

GW-5-D4
August 2000

FLASHING AT PIPE PENETRATIONS

- 1 Wrap doubled neoprene around penetration
- 2 Stretch neoprene sheet base flange down on substrate



1. LARGE ROUND PENETRATIONS

A. General: An elastic, very durable, formed-in-place flashing can be constructed from Gaco Western field curing neoprene sheet. The penetrations must permit slipping the cut sheet over the end. Square penetrations are flashed with sheet or tape as shown on Details GW-5-D2 and GW-5-D3.

B. Application:

1. After primer is dry, cut a section of neoprene sheet a minimum of 8" (20.3 cm) larger than the penetration and cut a hole smaller than the penetration. (For penetrations to 1" (2.5 cm), cut hole 1/4" (6.4 mm); 1" (2.5 cm) to 2" (5.1 cm), cut hole 1/2" (1.3 cm); 2" (5.1 cm) to 3" (7.6 cm), cut hole 1" (2.5 cm); for penetrations over 3" (7.6 cm), cut hole 2" (5.1 cm) smaller.)

2. Coat the substrate and the neoprene sheet with N-1207 neoprene adhesive and allow to dry to the touch. Coat the penetration only 2" (5.1 cm) above substrate and slide the sheet over the penetration down to the substrate while adhesive is still wet.

3. Fit the flashing into the corner and stitch firmly into place. Plastic liner sheet is placed on the substrate to prevent contact until the sheet is fitted. Work out the liner and stitch the sheet to the substrate.

4. Using N-1207 neoprene adhesive, place a 2" (5.1 cm) collar of neoprene sheet around the top edge of the flashing overlapping the end.

5. Place a 1/4" (6.4 mm) fillet of caulking flashing compound. Base coats can be applied immediately, but carried only over the edge of the sheet.



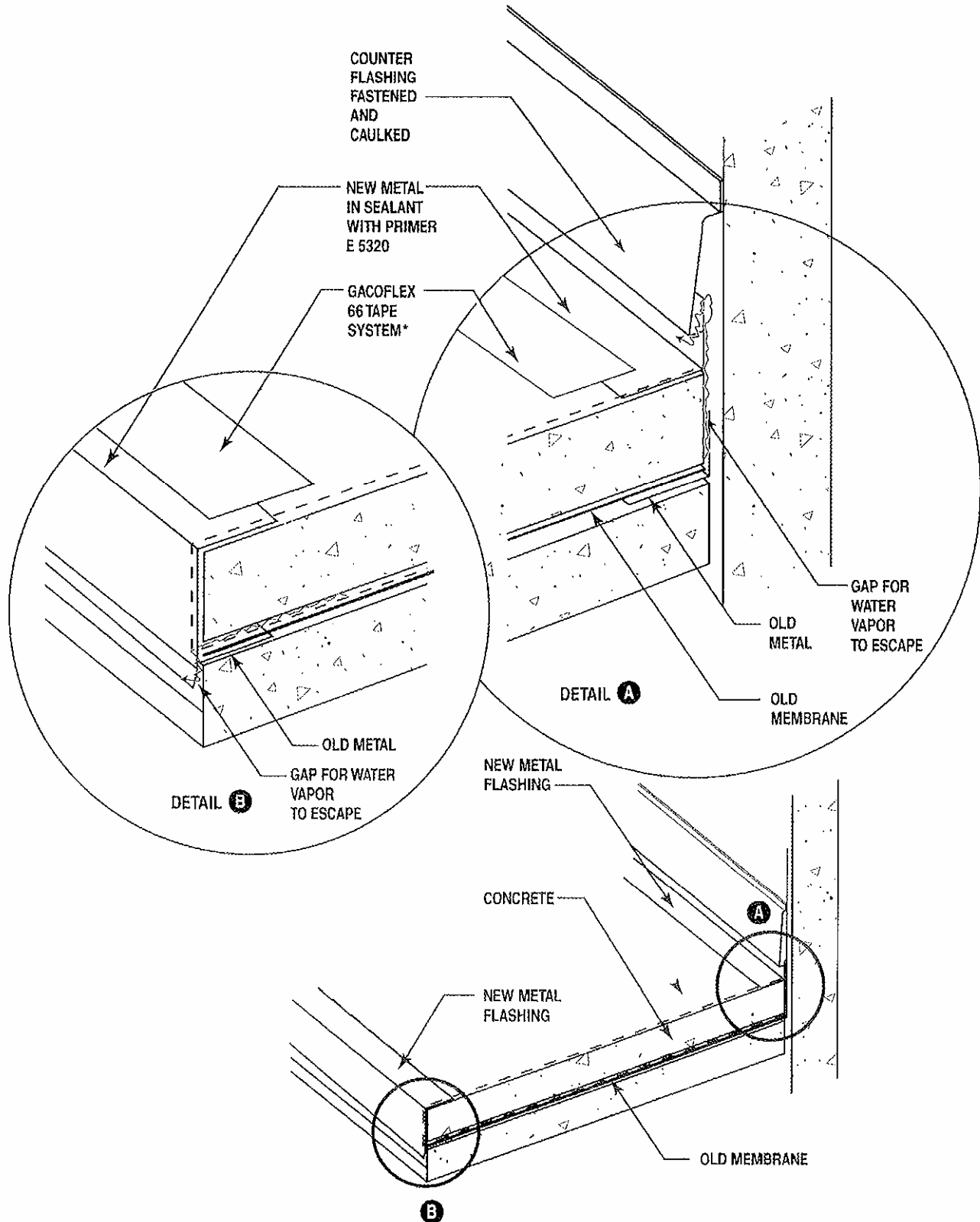
General Instructions

Western Region
PO Box 88698
Seattle, WA 98138
1-800-456-4226
www.gaco.com

Central Region
PO Box 646
Waukesha, WI 53187
1-800-331-0196
www.gaco.com

GW-5-D5
August 2000

FLASHING DETAIL WITH WATER VAPOR VENTING



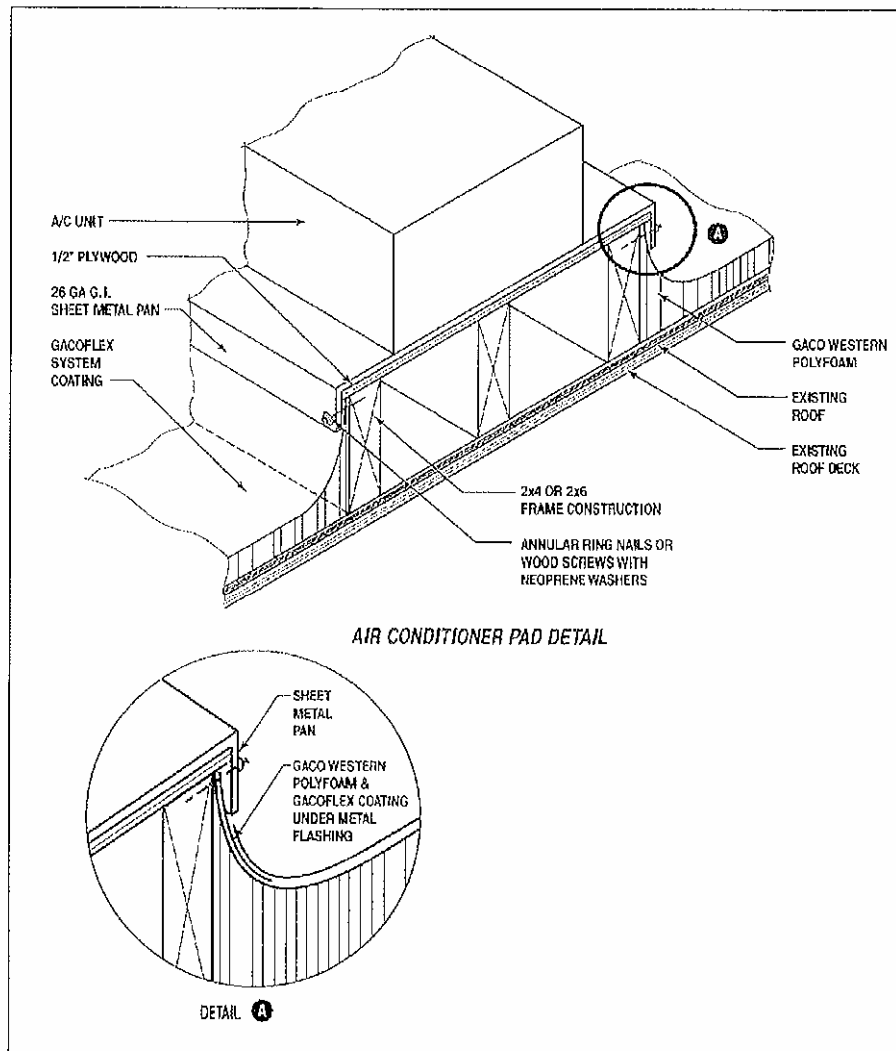
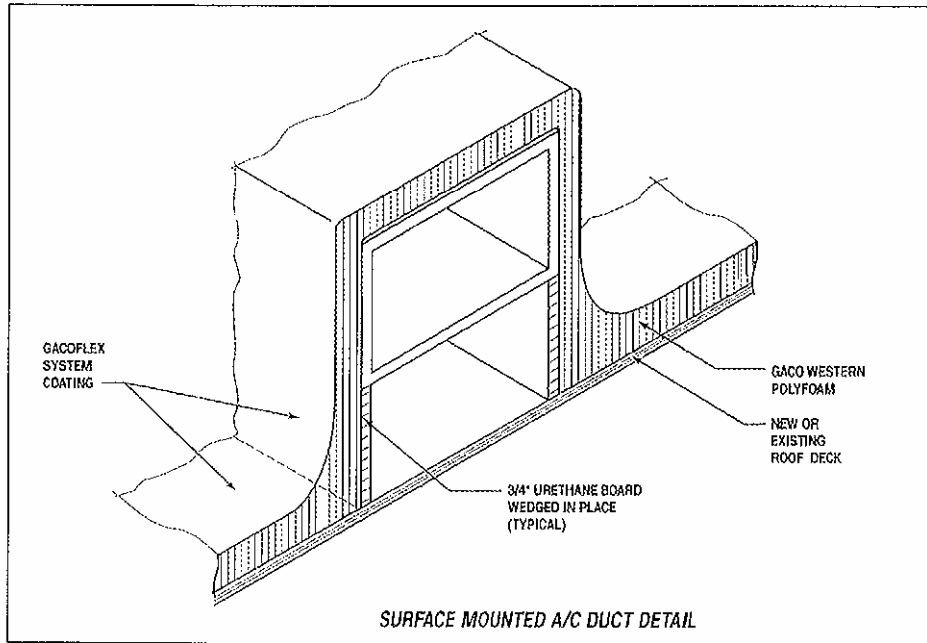


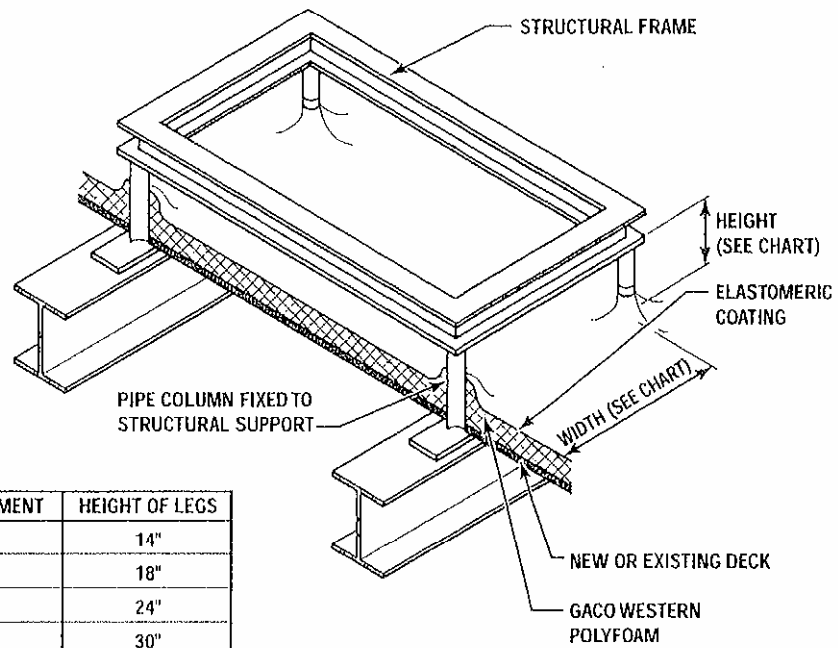
General Instructions

Western Region
PO Box 88698
Seattle, WA 98138
1-800-456-4226
www.gaco.com

Central Region
PO Box 646
Waukesha, WI 53187
1-800-331-0196
www.gaco.com

GW-5-D6





WIDTH OF EQUIPMENT	HEIGHT OF LEGS
UP TO 24"	14"
25" TO 36"	18"
36" TO 48"	24"
48" TO 60"	30"
60" AND WIDER	48"

**MECHANICAL EQUIPMENT SUPPORT
NEW AND REMEDIAL**



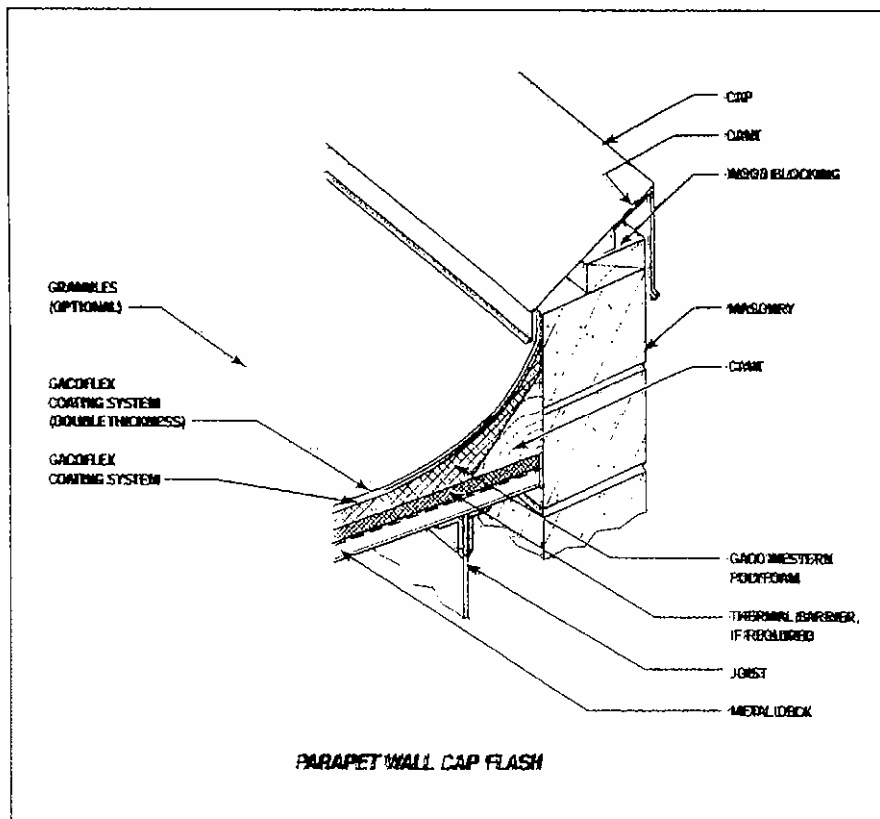
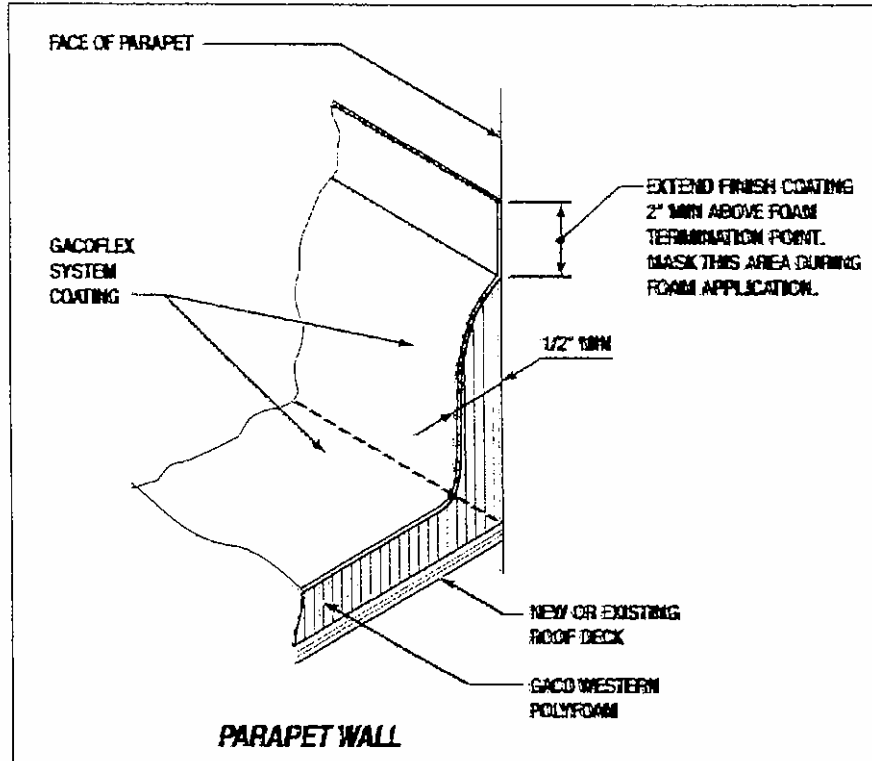
General Instructions

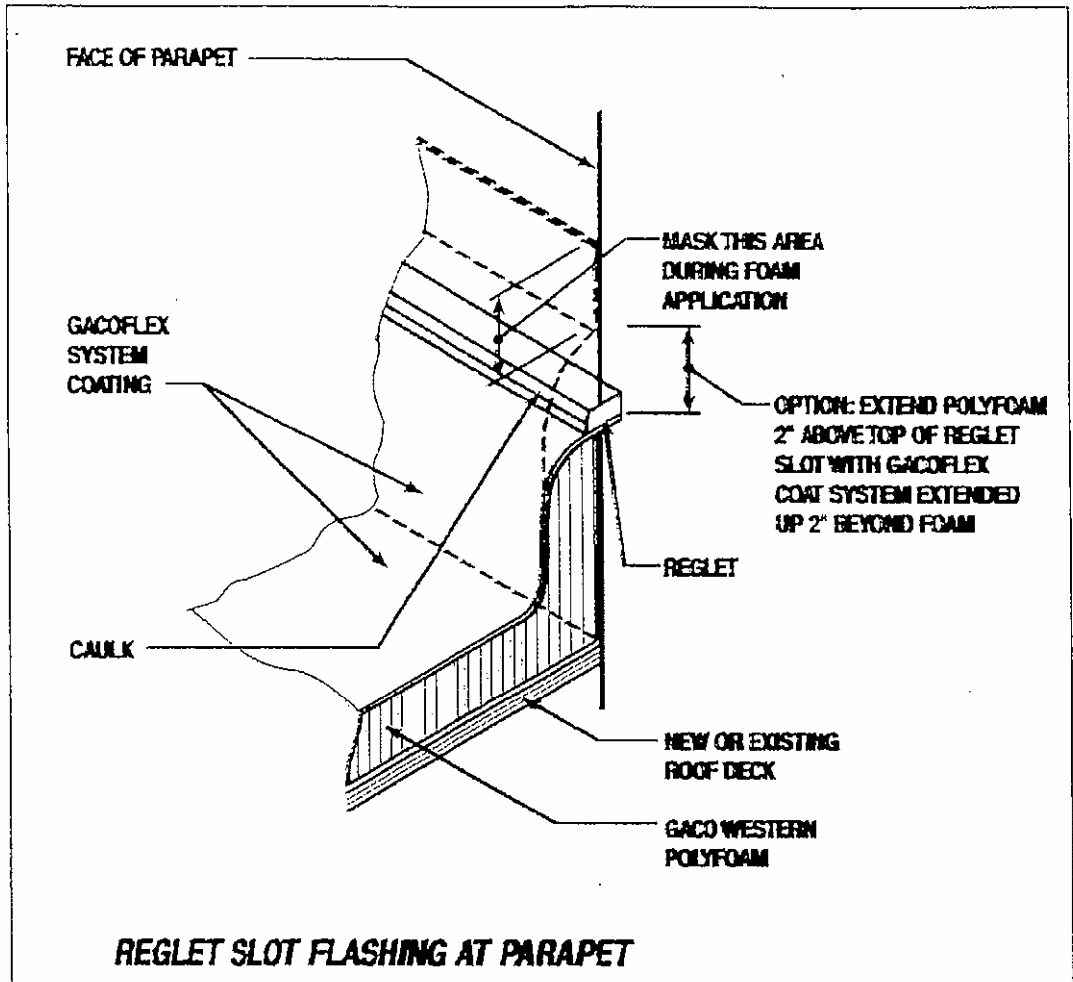
Western Region
PO Box 88698
Seattle, WA 98138
1-800-456-4226
www.gaco.com

Central Region
PO Box 646
Waukesha, WI 53187
1-800-331-0196
www.gaco.com

Eastern Region
45 Cedarfield Commons
Rochester, NY
1-800-869-0958
www.gaco.com

GW-5-D7







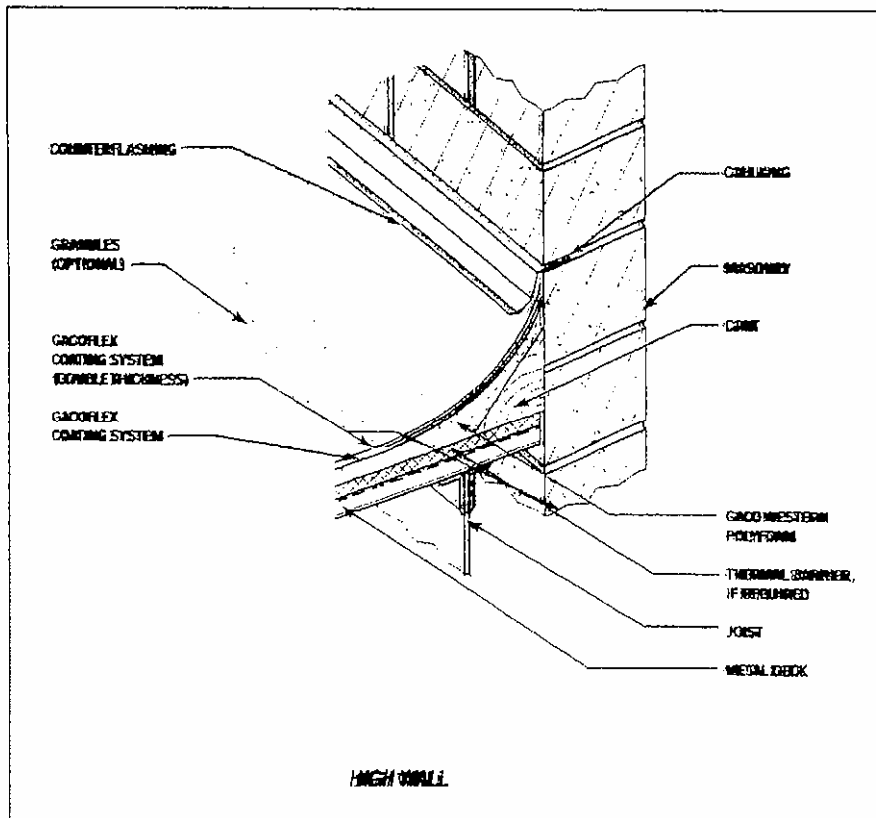
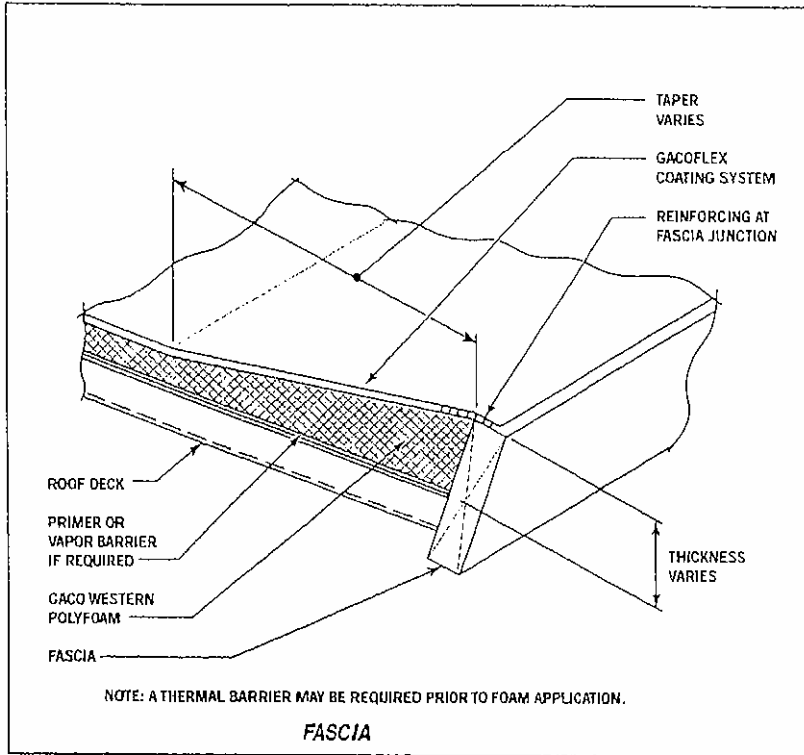
General Instructions

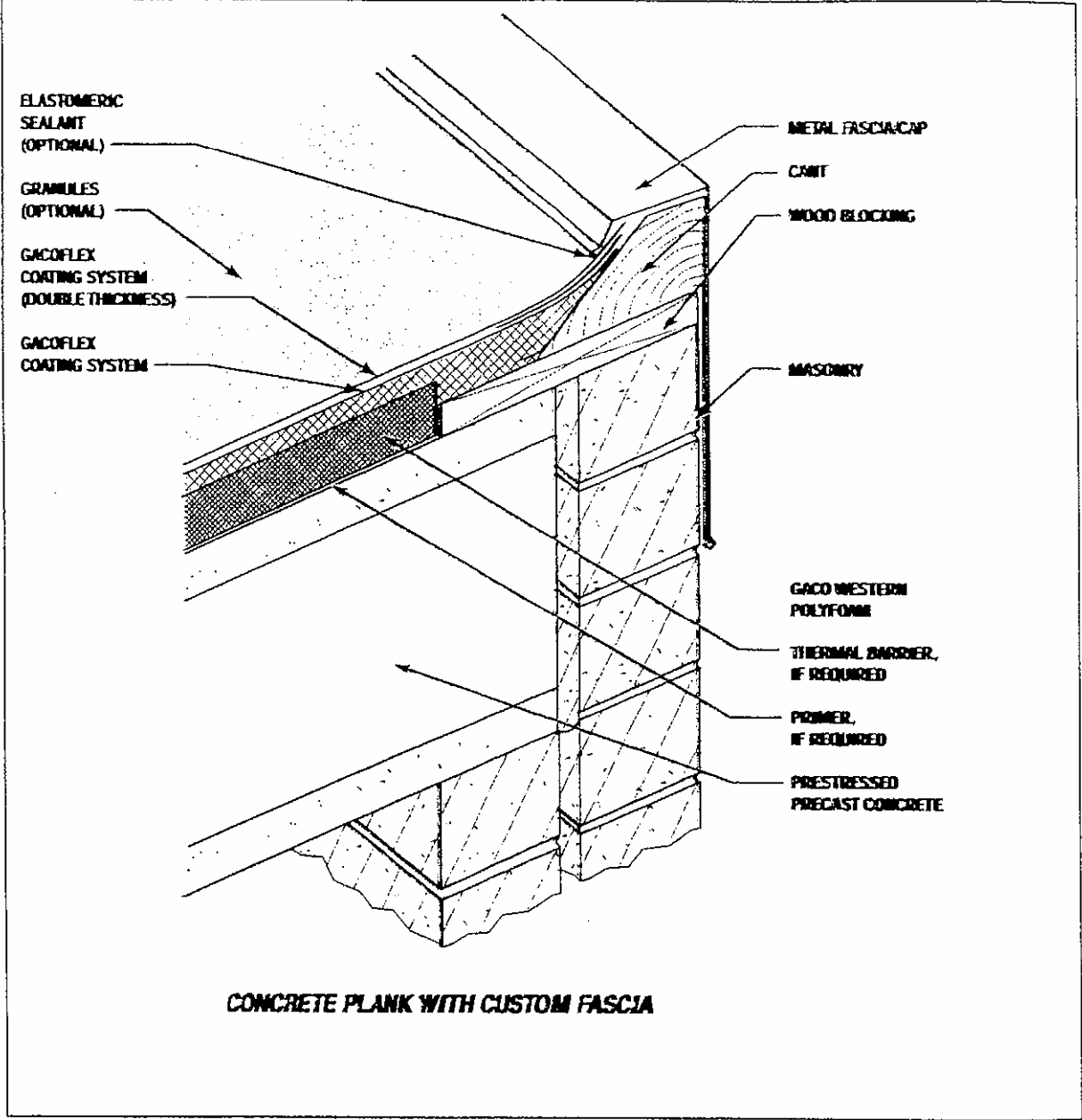
Western Region
 PO Box 88698
 Seattle, WA 98138
 1-800-456-4226
 www.gaco.com

Central Region
 PO Box 646
 Waukesha, WI 53187
 1-800-331-0196
 www.gaco.com

Eastern Region
 45 Cedarfield Commons
 Rochester, NY
 1-800-869-0958
 www.gaco.com

GW-5-D8







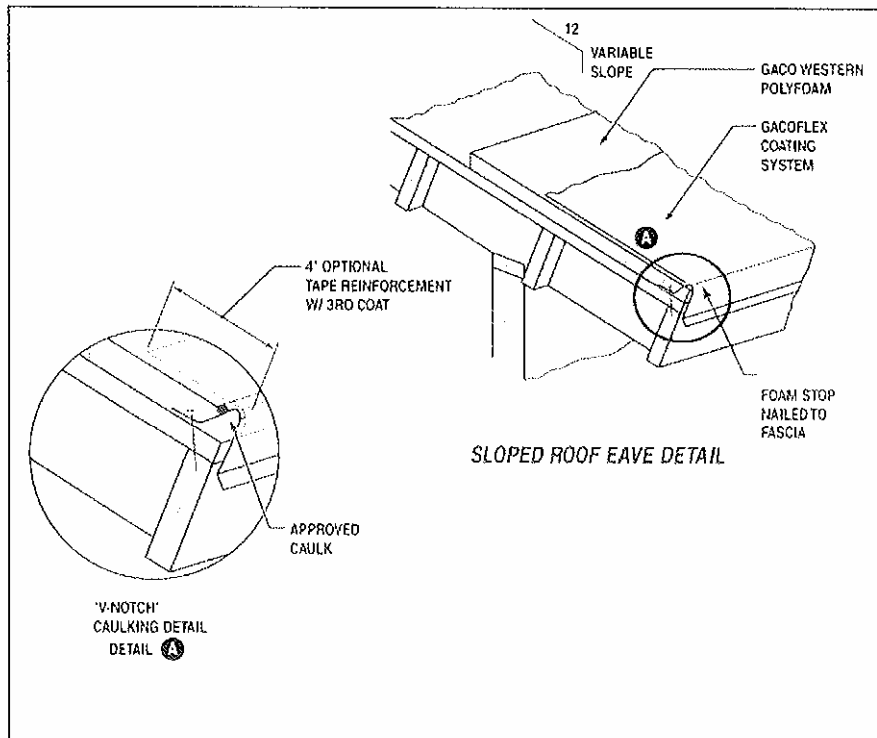
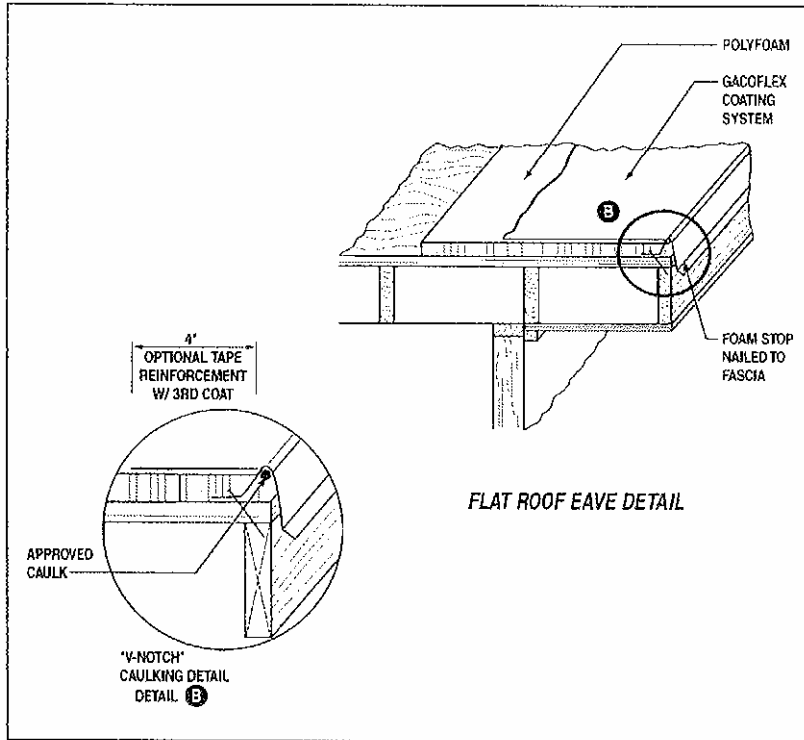
General Instructions

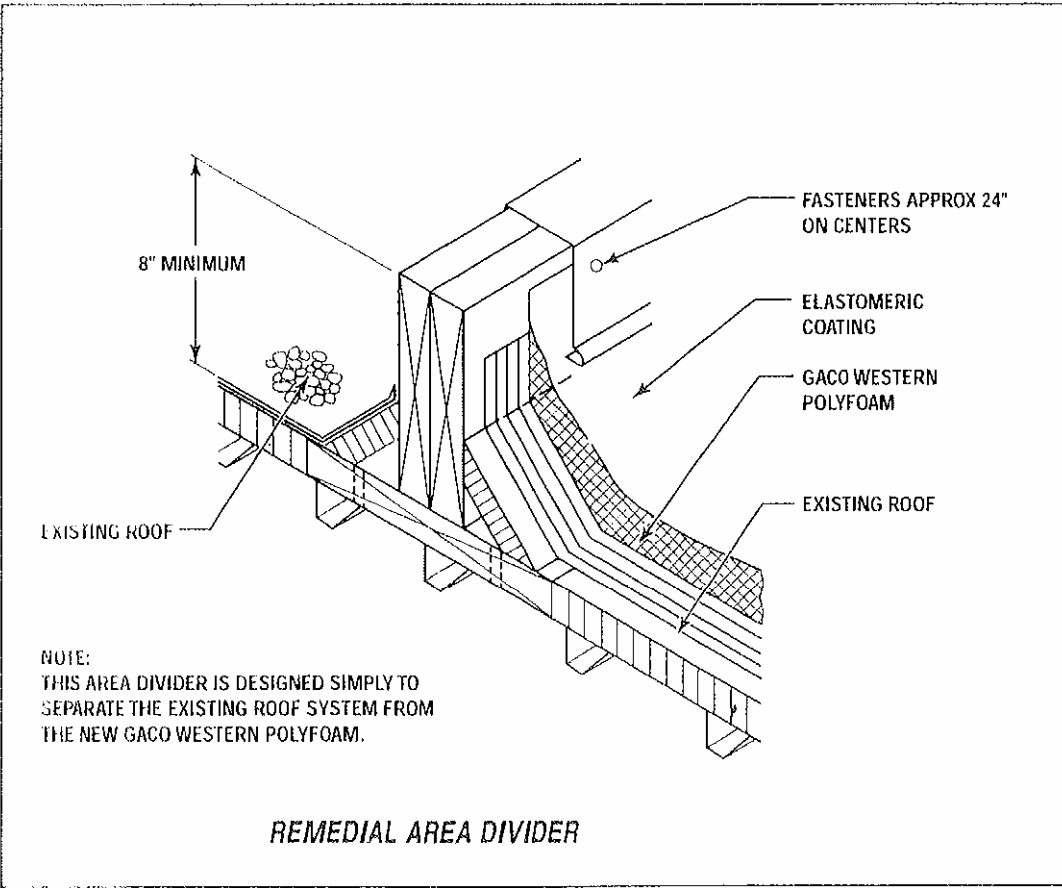
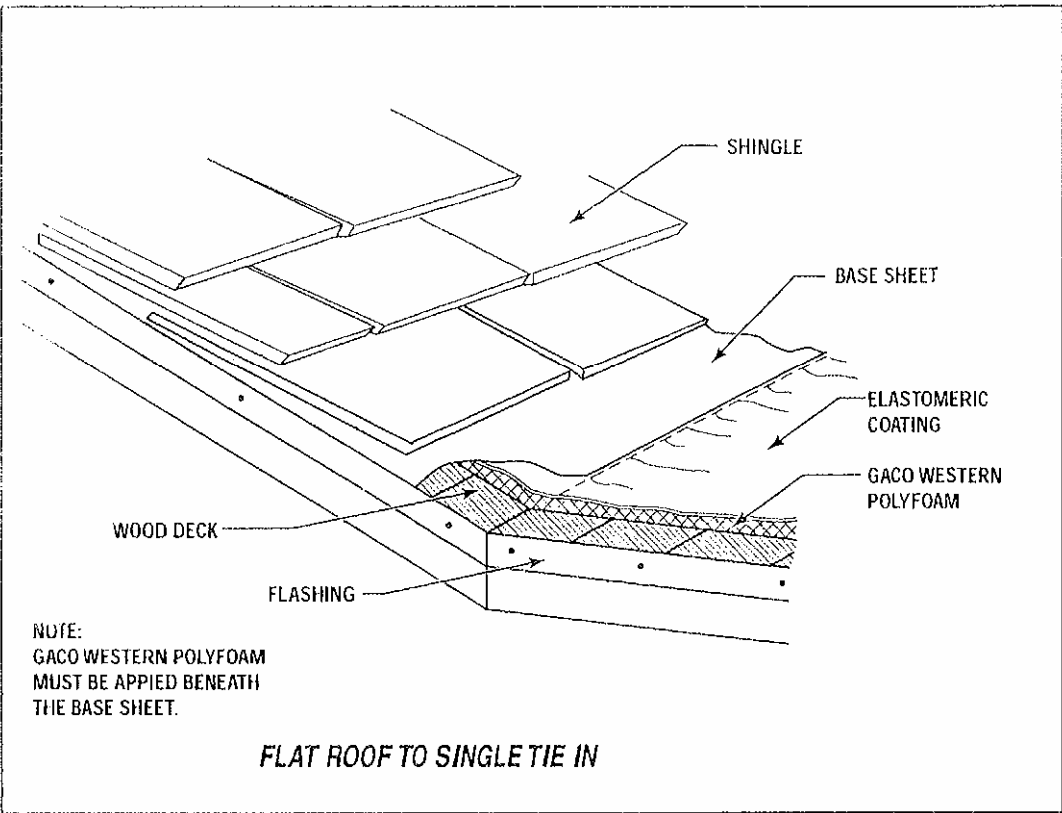
Western Region
PO Box 88698
Seattle, WA 98138
1-800-456-4226
www.gaco.com

Central Region
PO Box 646
Waukesha, WI 53187
1-800-331-0196
www.gaco.com

Eastern Region
45 Cedarfield Commons
Rochester, NY
1-800-869-0958
www.gaco.com

GW-5-D9







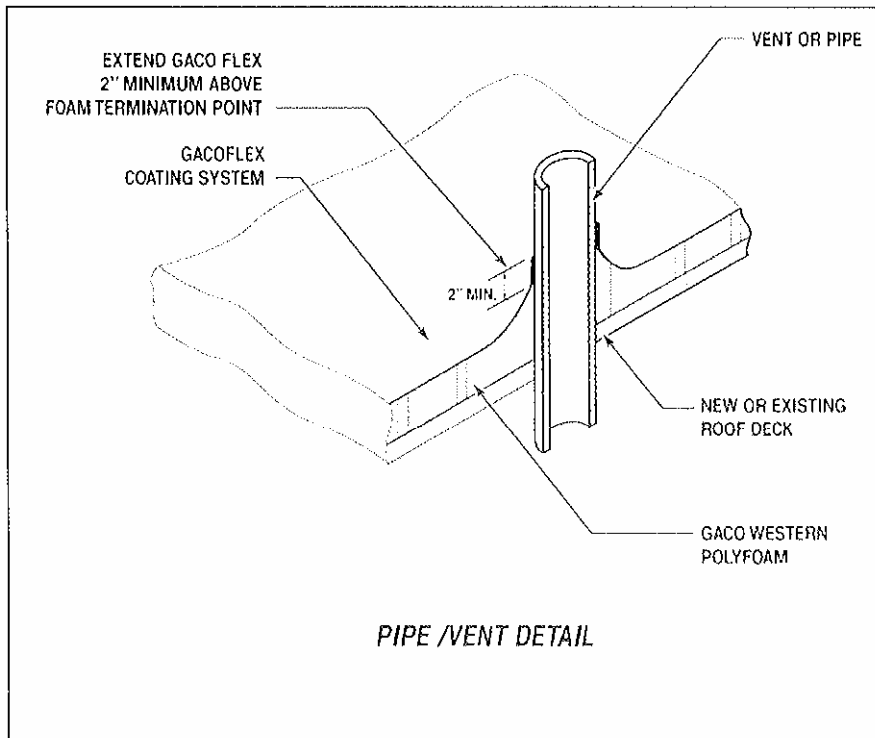
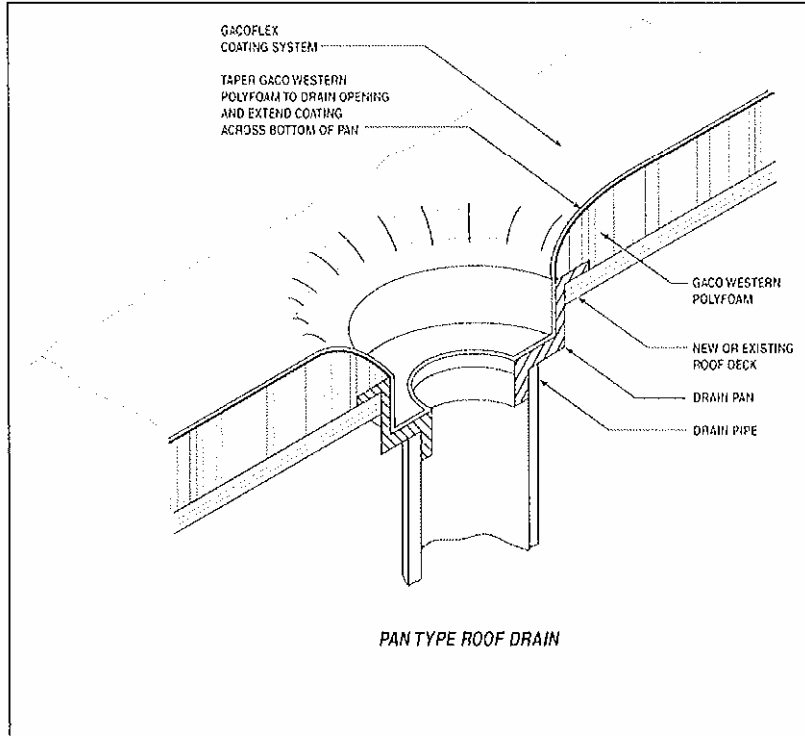
General Instructions

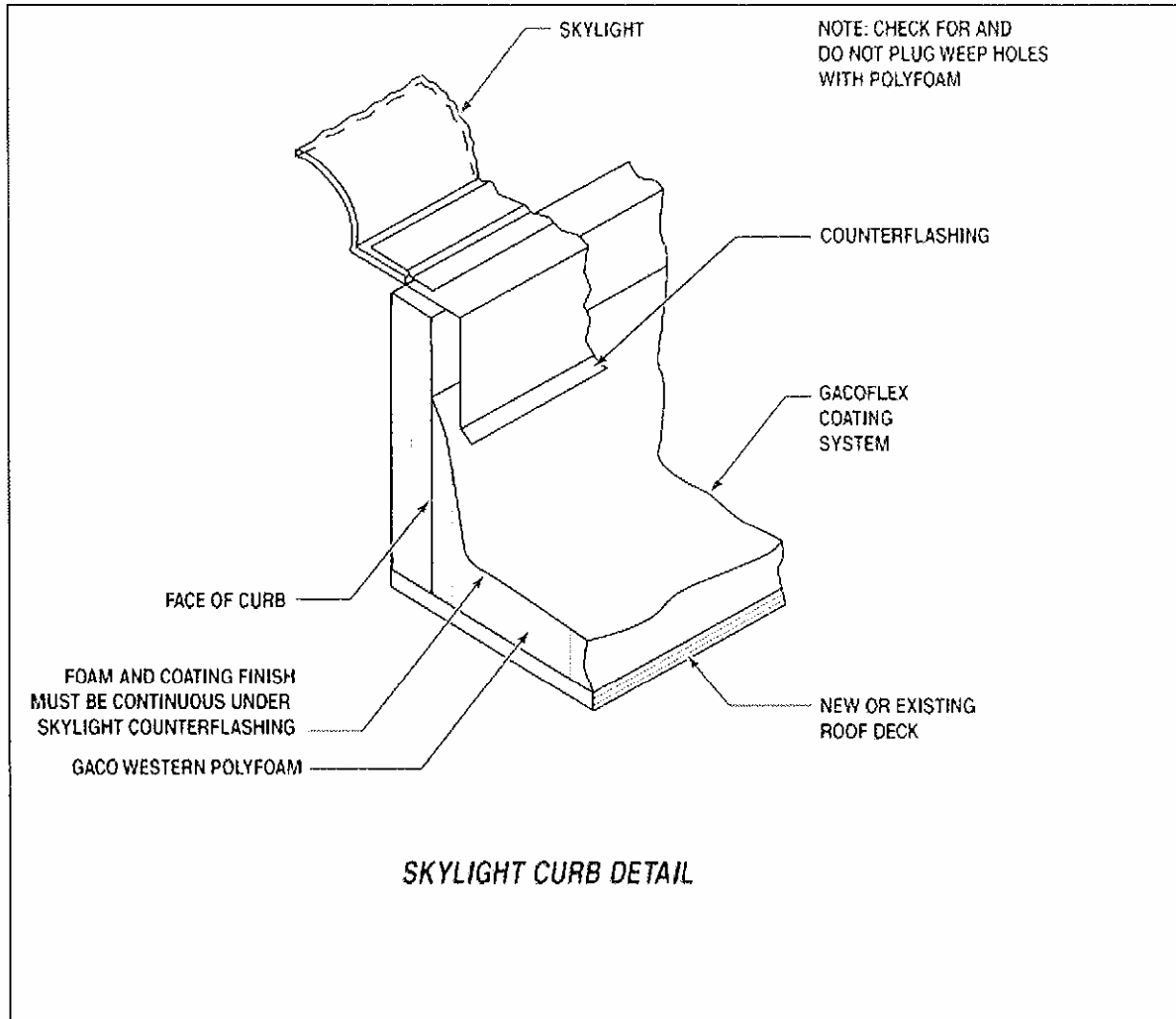
Western Region
PO Box 88698
Seattle, WA 98138
1-800-456-4226
www.gaco.com

Central Region
PO Box 646
Waukesha, WI 53187
1-800-331-0196
www.gaco.com

Eastern Region
45 Cedarfield Commons
Rochester, NY
1-800-869-0958
www.gaco.com

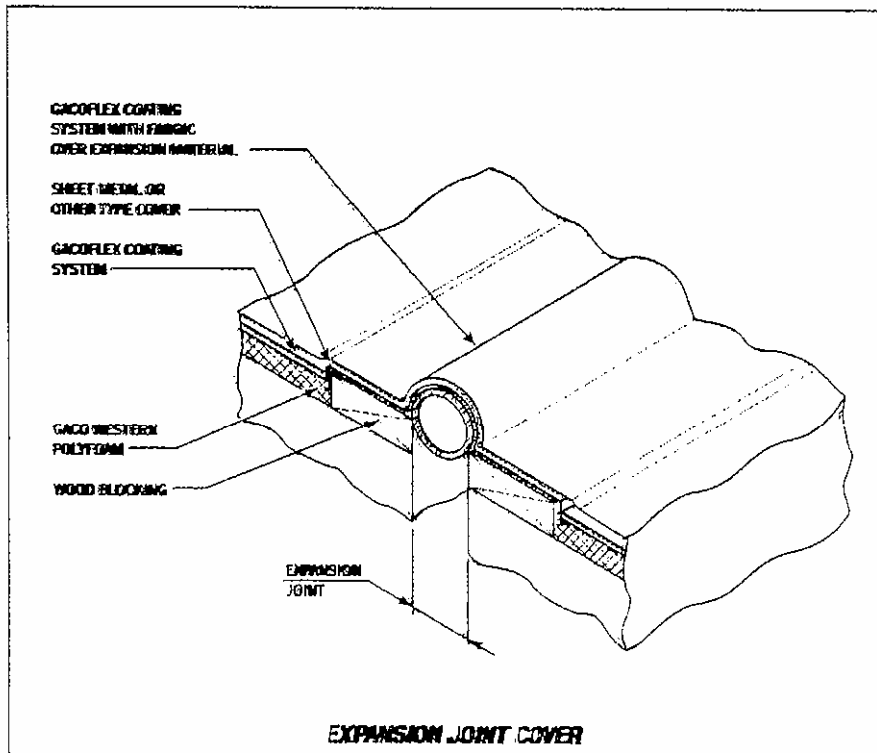
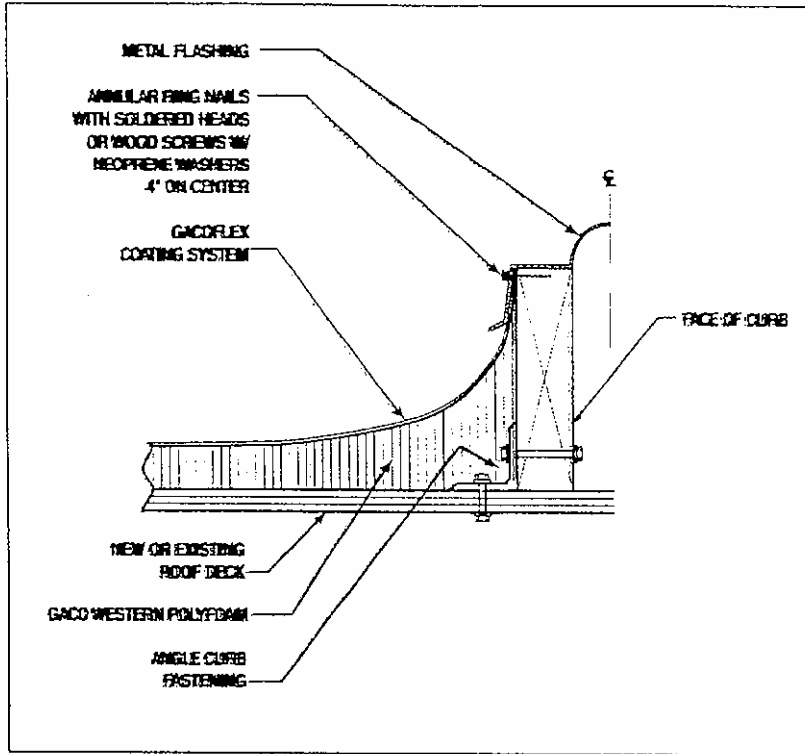
GW-5-D10



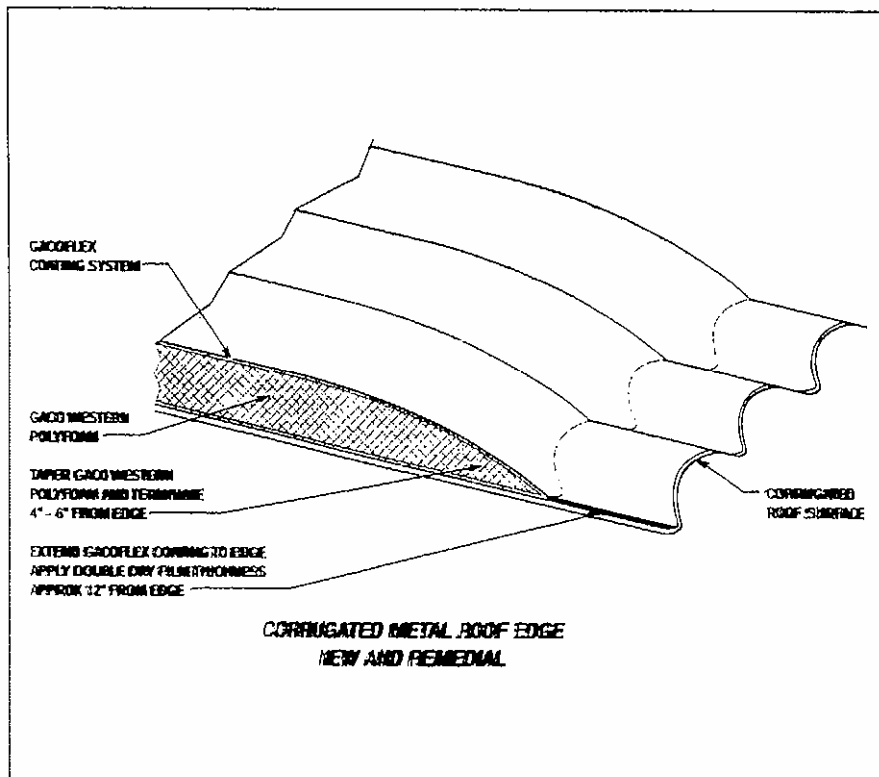
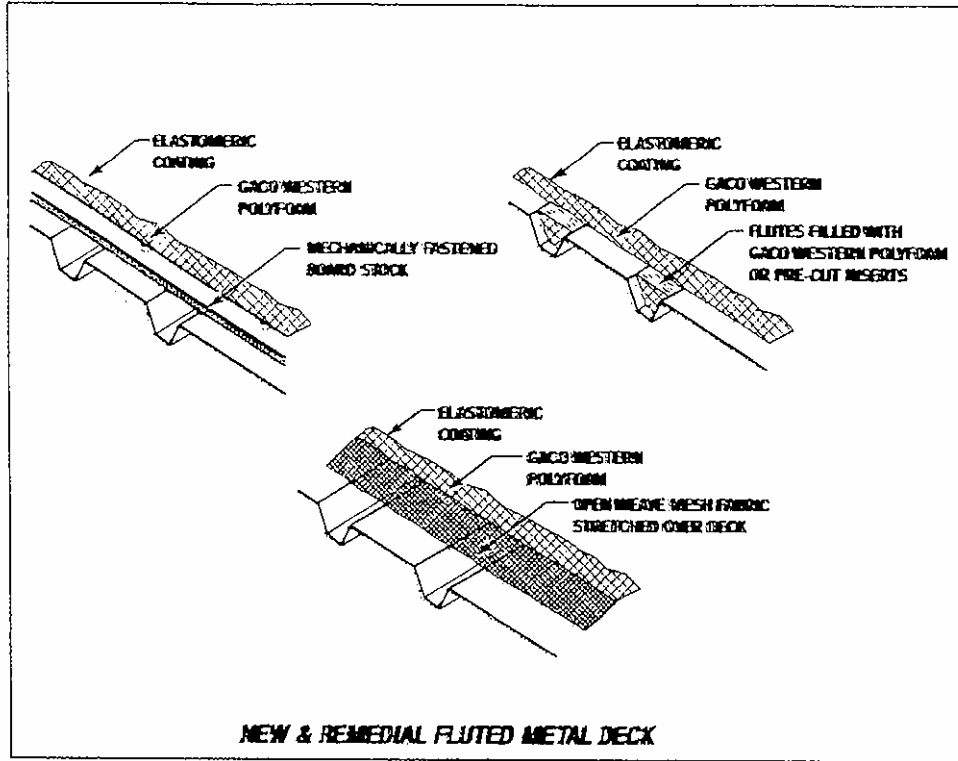


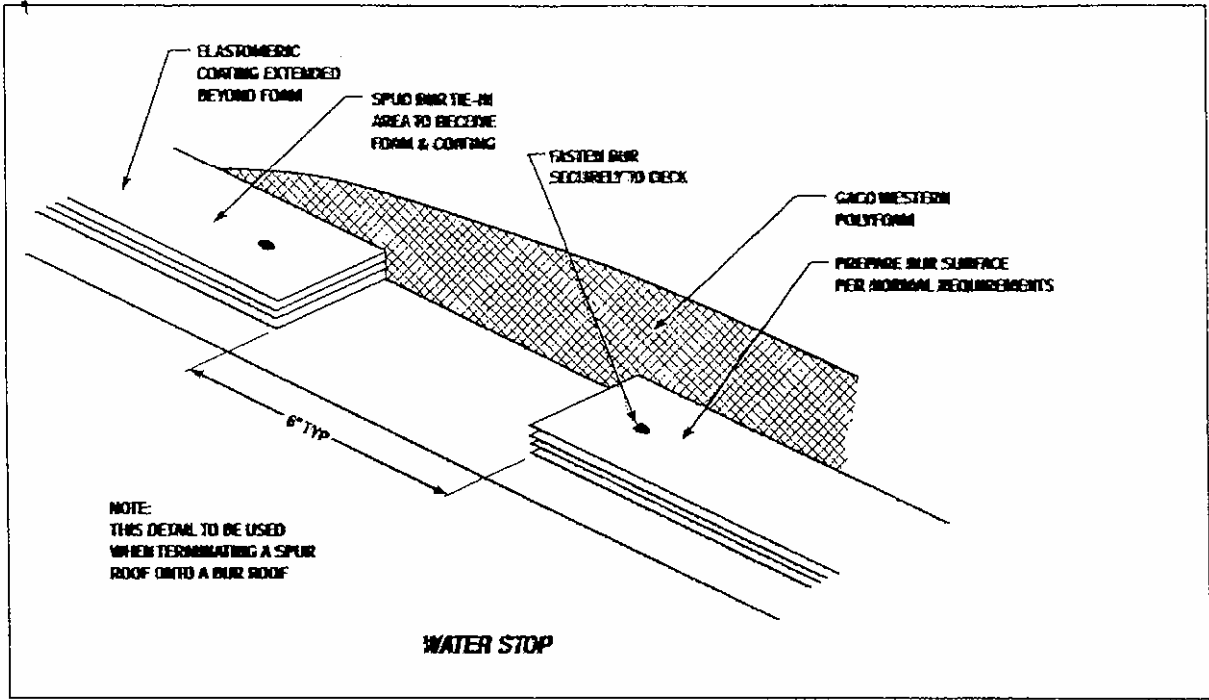
General Instructions

GW-5-D11



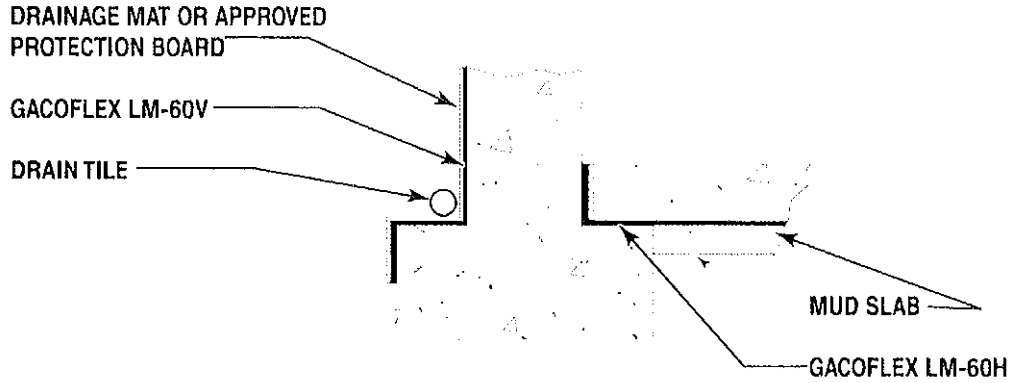
GW-5-D12



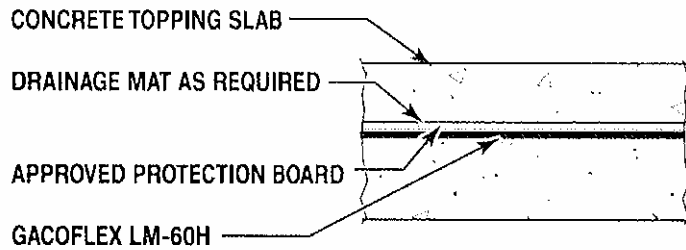


General Instructions

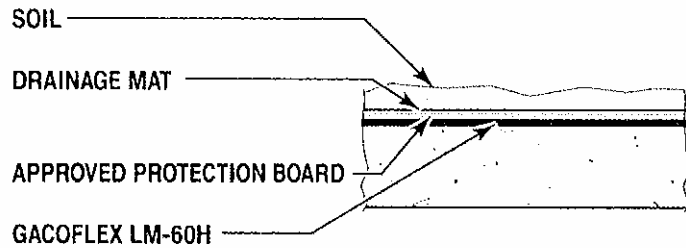
GW-5-D13



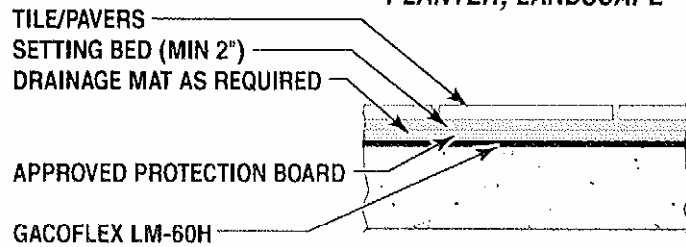
FOUNDATIONS & MUD SLABS



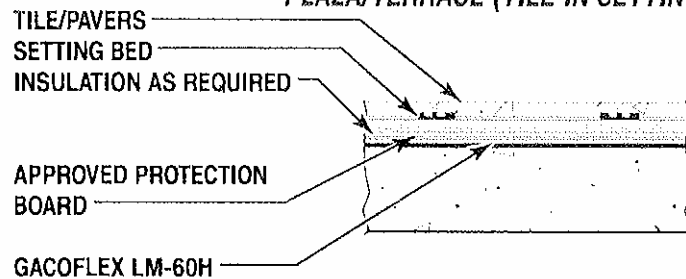
BETWEEN SLAB



PLANTER, LANDSCAPE



PLAZA/TERRACE (TILE IN SETTING BED)



PLAZA/TERRACE (OPEN JOINT PAVING)

TYPICAL APPLICATIONS

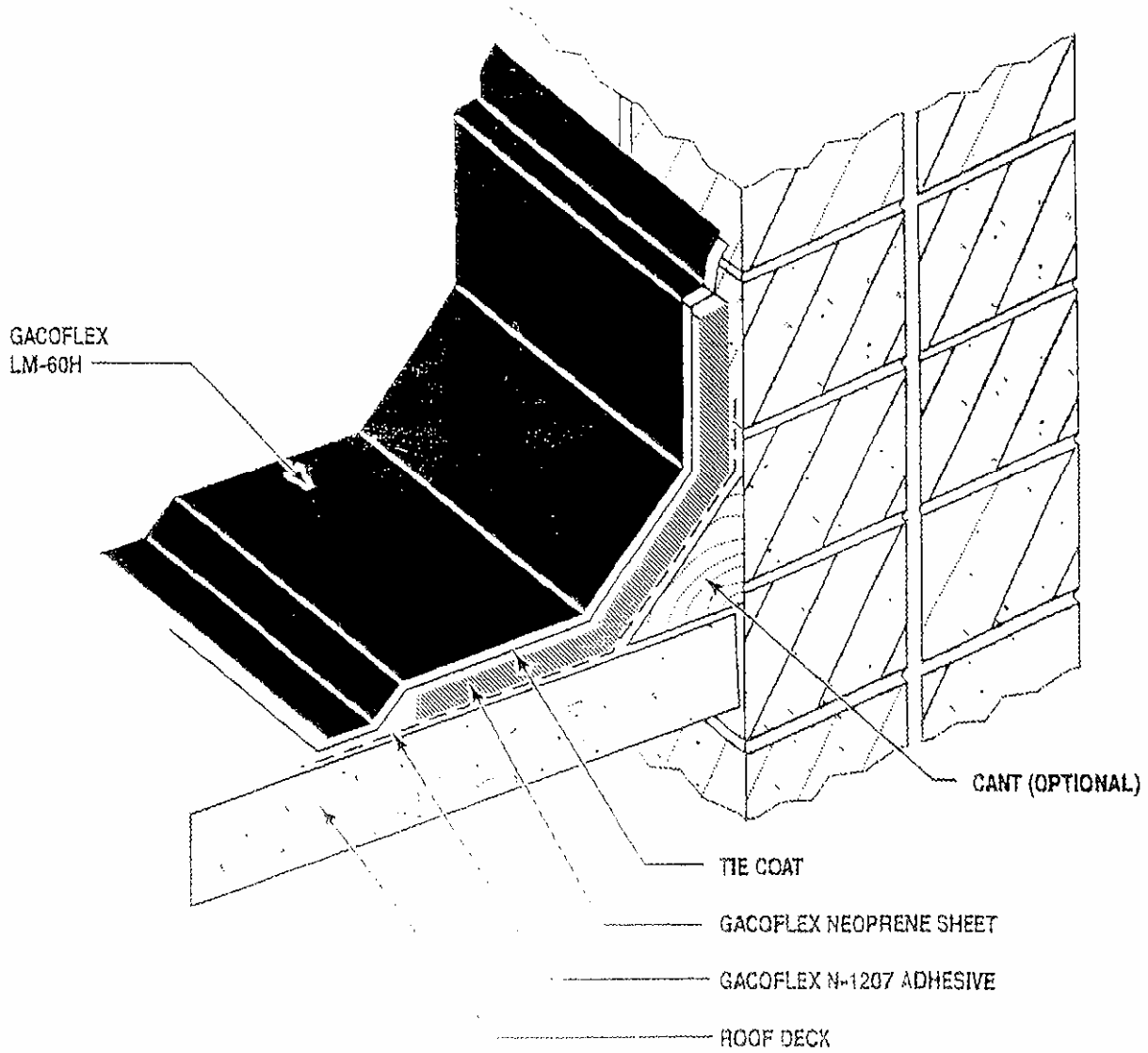
General Instructions

Western Region
PO Box 33638
Seattle, WA 98138
1-800-466-4226
www.gaco.com

Central Region
PO Box 646
Waukesha, WI 53187
1-800-331-0196
www.gaco.com

1

GW-5-D14



PARAPET FLASHING

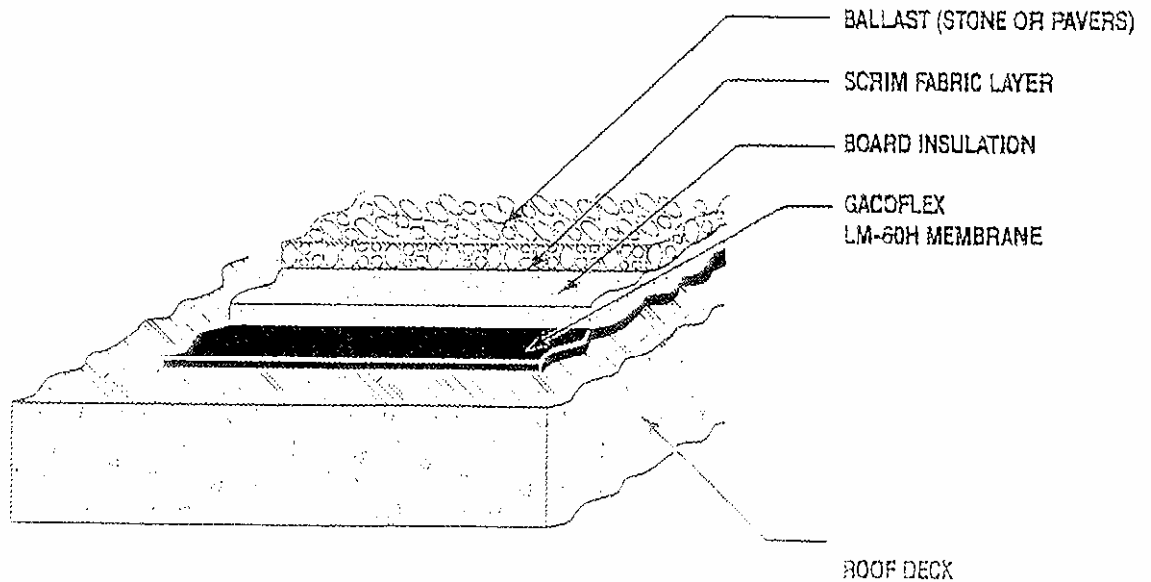
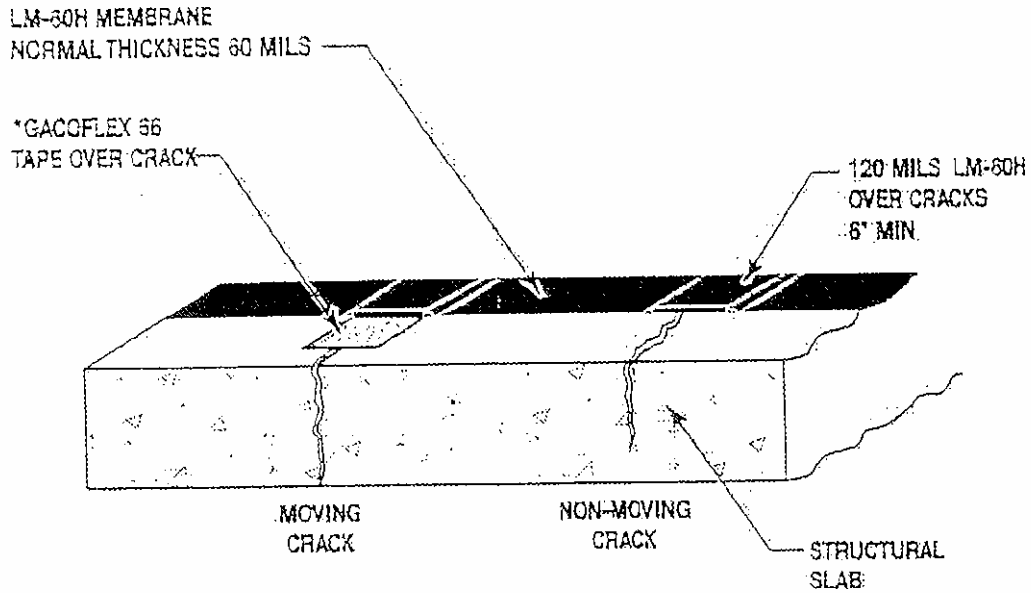


General Instructions

Western Region
PO Box 38698
Seattle, WA 98138
1-800-456-4226
www.gaco.com

Central Region
PO Box 646
Waukesha, WI 53187
1-800-331-3196
www.gaco.com

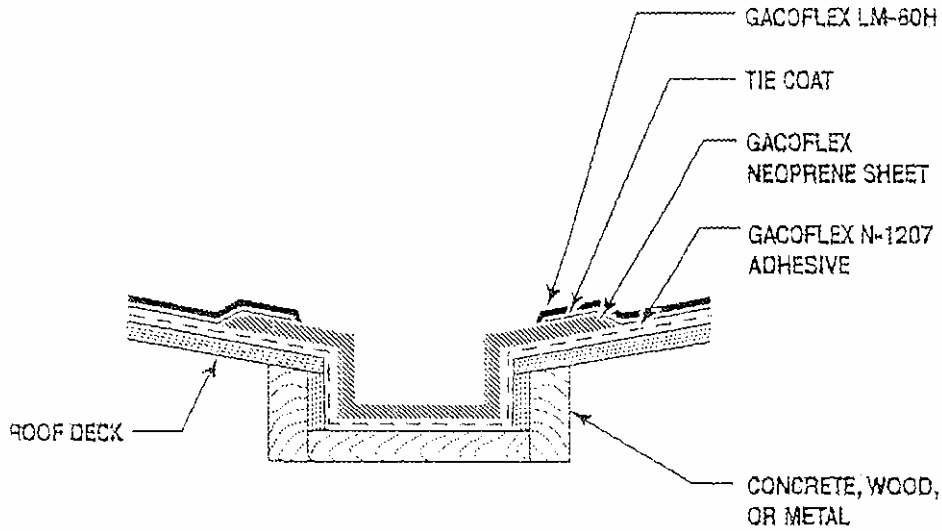
GW-5-D15



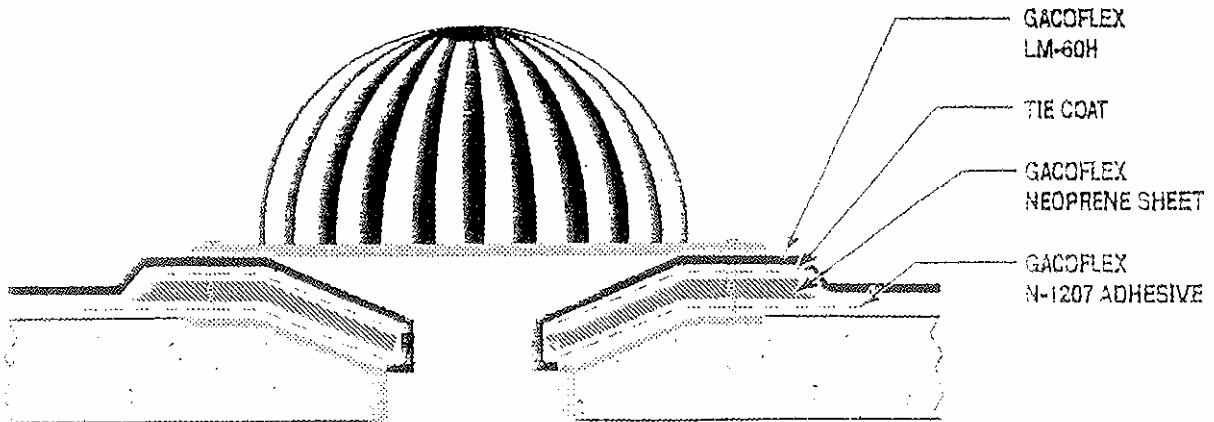
**IR-60-U/ELASTOMERIC INVERTED
ROOFING MEMBRANE ASSMEBLY**
*SEE SPECIFICATION FOR CRACK TAPING DETAILS:

General Instructions

GW-5-D16



GUTTER DETAIL



DRAIN DETAIL

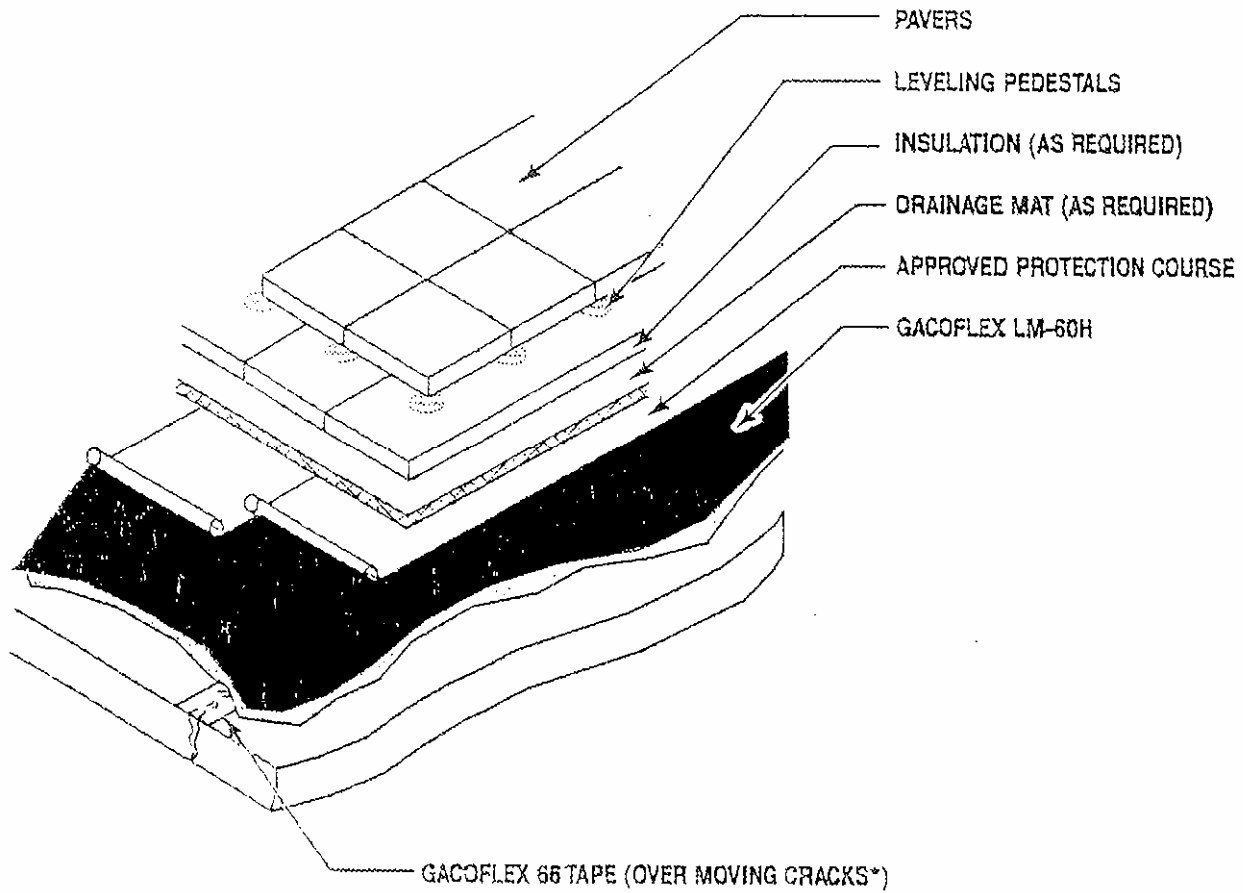


General Instructions

Western Region
PO Box 38698
Seattle, WA 98138
1-300-456-4226
www.gaco.com

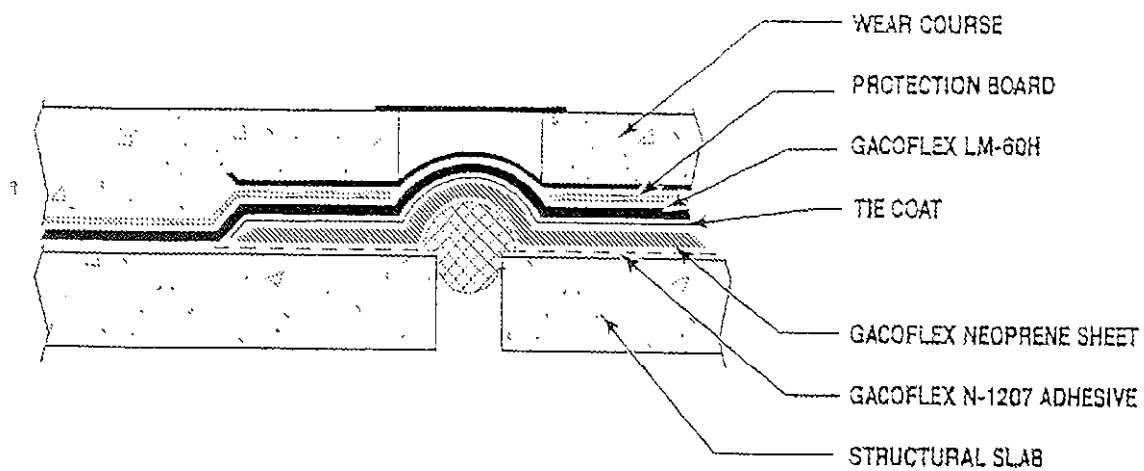
Central Region
PO Box 546
Waukesha, WI 53187
1-800-331-0196
www.gaco.com

GW-5-017

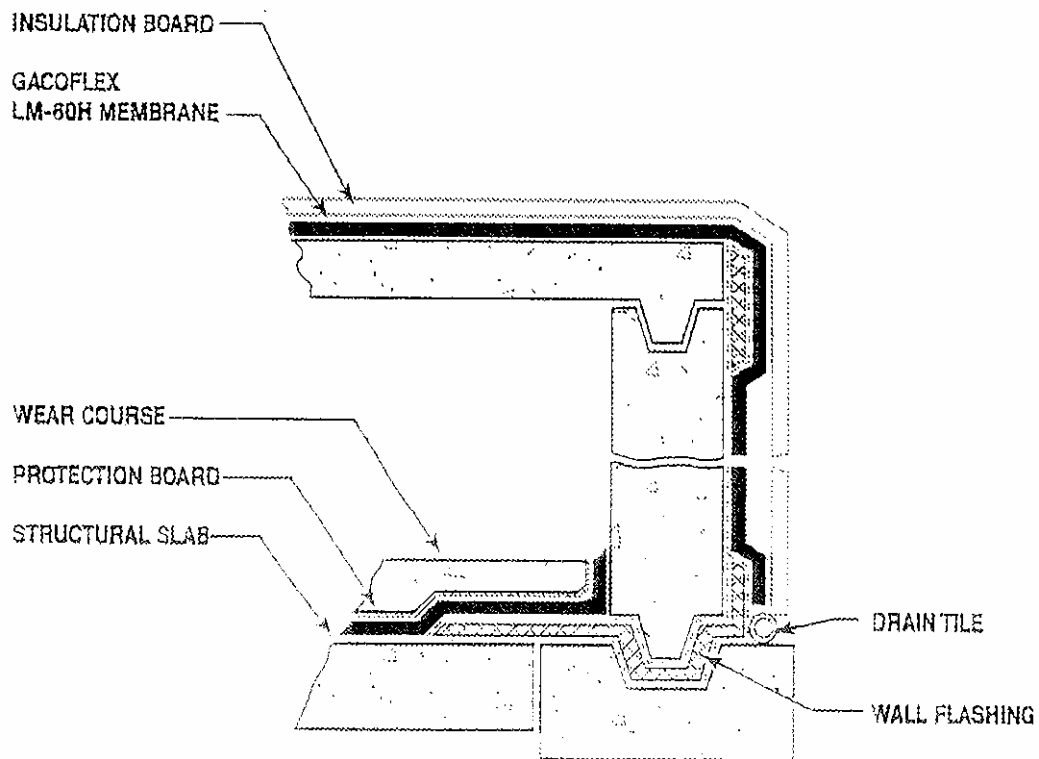


TYPICAL PLAZA ASSEMBLY

*SEE SPECIFICATION FOR CRACK TAPING DETAILS.



EXPANSION JOINT



DETAIL FOR CONCRETE UNDERGROUND STRUCTURES